



HIGH BAY

SPECIFICATIONS

Features:

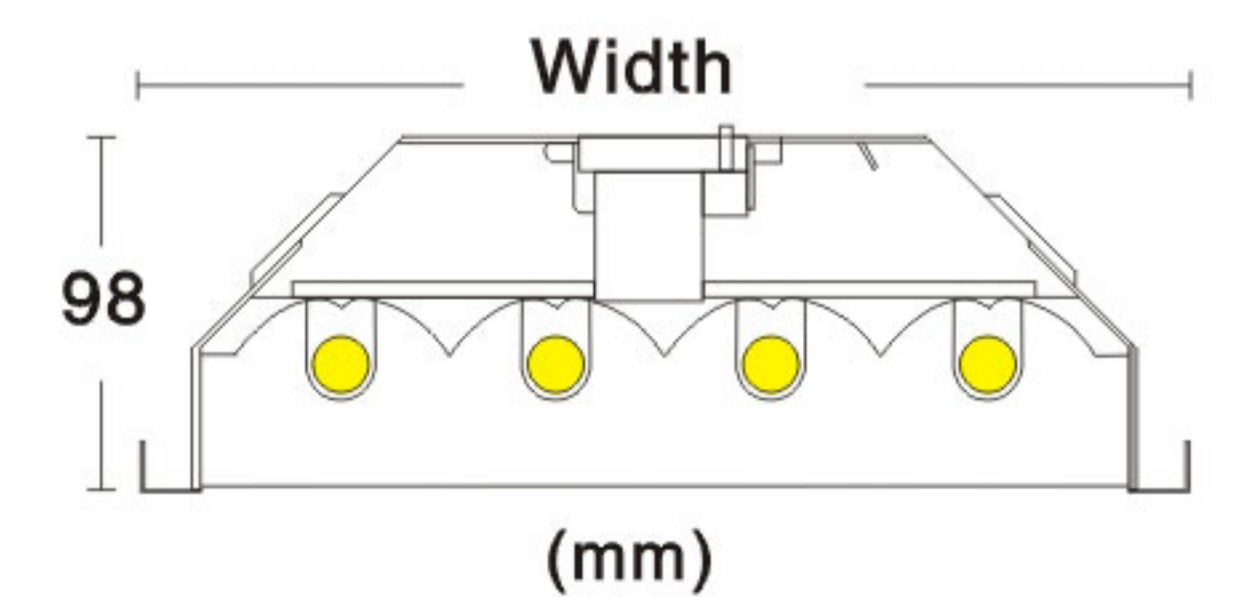
- Constructed of die-formed heavy gauge cold rolled steel
- Imported Alanod 320G aluminum reflector with 86% reflection
- Return lip in housing and welded end plates provide exceptional rigid
- Tool-less ballast access from back for easy maintenance
- Replace 250W or 400W watt T5 or T8 high bay lamps
- Painted with a lighting grade baked white enamel
- Suitable for T5 T8 configurations
- Available from two to six foot long models
- Available in 48 inch and 60 inch
- Heavy gauge C.R.S wire guard and clear lens are option
- Surface, suspended or ceiling mountable

Electrical:(Option)

- G13 G5 lampholder from BJB,AAG stucchi or others
- Terminal block,Quick disconnecter from IDEAL or WAGO
- 220-240V electronic ballast from TRIDONIC,PHILIPS,VS,OSRAM
- ADVANCE,FULHAM,GE,SYLVANIA,UNIVERSAL ballast etc
- Emergency kits or dimmable ballast,occupany sensor
- Linear fluorescent lamp from GE,Philips,Osram etc
- CCC,CE,CB,CSA,UL cUL listed

Application

- Workshop
- Gymnasiums
- Retail Stores
- Supermarkets
- Multi-purpose rooms]
- Warehouse manufacturing



DIMENSIONS

Model	Lamp type	Lamps	Length	Width	Height
MX898-Y32x4	F32T8	4x32W	48 5/8	11 6/8	3 7/8
MX898-Y32x6	F32T8	6x32W	48 5/8	16 4/8	3 7/8
MX898-Y32x8	F32T8	8x32W	48 5/8	21 6/8	3 7/8
MX898-Y28/54x4	F28T5,F54T5HO	4x28W/54W	47 7/8	11 6/8	3 7/8
MX898-Y28/54x6	F28T5,F54T5HO	6x28W/54W	47 7/8	16 4/8	3 7/8
MX898-Y28/54x8	F28T5,F54T5HO	8x28W/54W	47 7/8	21 6/8	3 7/8

NOTE: (1)All dimensions are inches,1inch=25.4mm (2)T8 fluorescent tube US 17W=NON-US 18W,US 32W=NON-US 36W