

SPECIFICATION SHEET : FHS1-UNV-3.6L

This Is An Original Product From Fulham Co., Inc

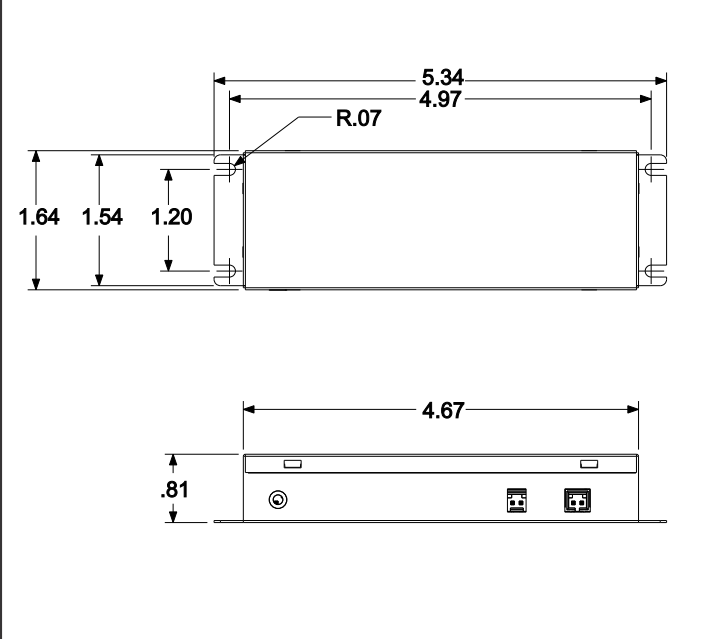
Description : Emergency LED Driver For Back-up Lighting

This Driver Will Operate Following LEDs.
 350mA, 3.2V..... Max. 10W
 700mA, 3.2V..... Max. 10W
 1500mA, 3.2V..... Max. 10W

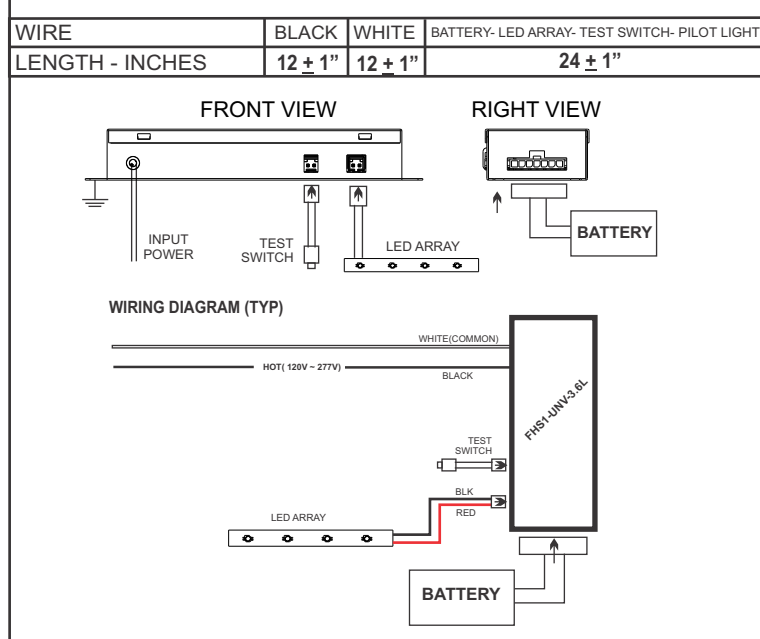
ELECTRICAL DATA

INPUT VOLT: 100V ~ 277V ± 10%, 47-63Hz	
INPUT VOLTAGE	100V ~ 277V ± 10%, 47-63Hz
SURGE PROTECTION	C62.41 (TVS)
OVER CURRENT PROTECTION	Fuse
INPUT CURRENT	0.07 A
INPUT POWER	< 4 W
LED TYPES OPERATED	1W - 5W (350 mA - 1,500 mA)
OUTPUT CURRENT	3.5 Amp when used with # FHSBATT3-F7
	2.8 Amp when used with # FHSBATT3-D4
	2.1 Amp when used with # FHSBATT3-C3
OUTPUT VOLTAGE	3.6V
OUTPUT SHORT CIRCUIT PROTECTION	Self Resetting PTC
RECHARGE TIME REQUIRED	24 HRS
BATTERY TYPE	NiCd 3.6VDC
BATTERY CAPACITY AVAILABLE	3Ah OR 4Ah OR 7Ah
ILLUMINATION TIME	MINIMUM 90MIN, UPTO 360MIN (AVAILABLE)
TOTAL MAXIMUM LED POWERED	10W
OUTPUT CLASSIFICATION	UL 1310 / CLASS 2
AMBIENT TEMPERATURE	0°C - 50°C

MECHANICAL DATA



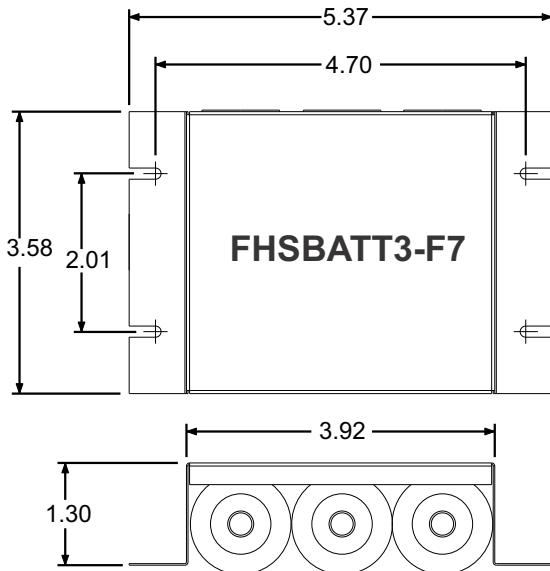
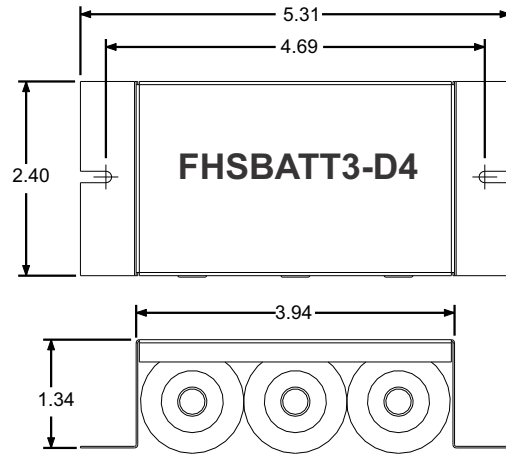
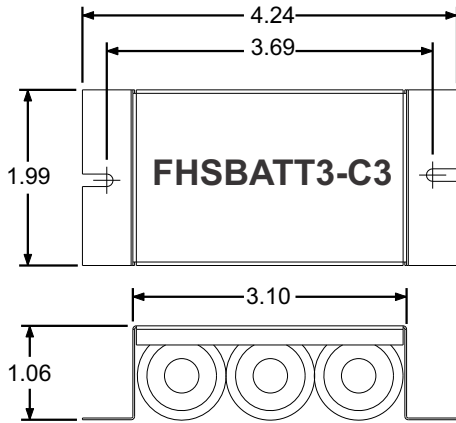
WIRING DIAGRAMS



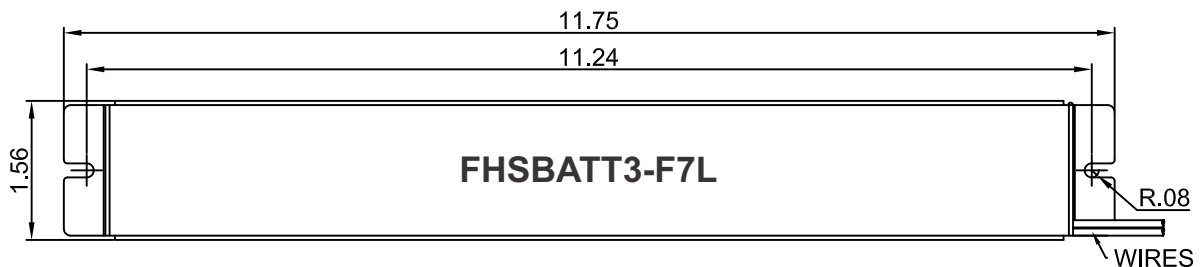
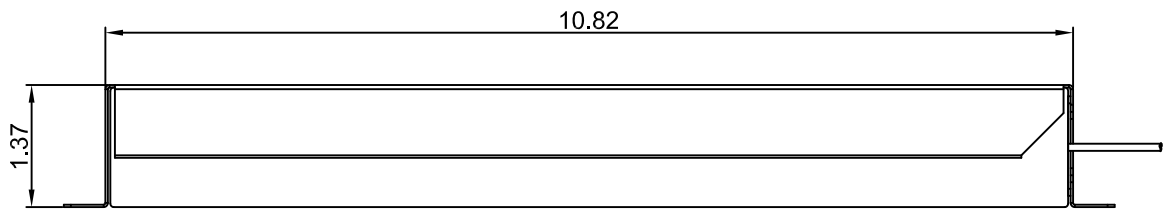
This product does not meet CEC Title 20 Code of Regulations. Fulham extends a limited warranty only to the original purchaser or to the first user for a period of 5 years from the date of manufacture when properly installed and operated under normal conditions of use. For complete terms and conditions, please reference the Fulham product catalog (www.fulham.com) **Due to a program of continuous improvement, Fulham reserves the right to make modifications or variations in design or construction to the equipment described.** © Fulham Company Limited, All Rights Reserved. 2006-205-1 rev H

This Is An Original Product From Fulham Co., Inc

Available battery pack



Battery Pack	Output Power	Time
FHSBATT3-C3	4W	145 Minutes
FHSBATT3-C3	6W	90 Minutes
FHSBATT3-D4	4W	200 Minutes
FHSBATT3-D4	6W	125 Minutes
FHSBATT3-D4	8W	90 Minutes
FHSBATT3-F7	4W	360 Minutes
FHSBATT3-F7L		
FHSBATT3-F7	6W	235 Minutes
FHSBATT3-F7L		
FHSBATT3-F7	8W	175 Minutes
FHSBATT3-F7L		
FHSBATT3-F7	10W	135 Minutes
FHSBATT3-F7L		

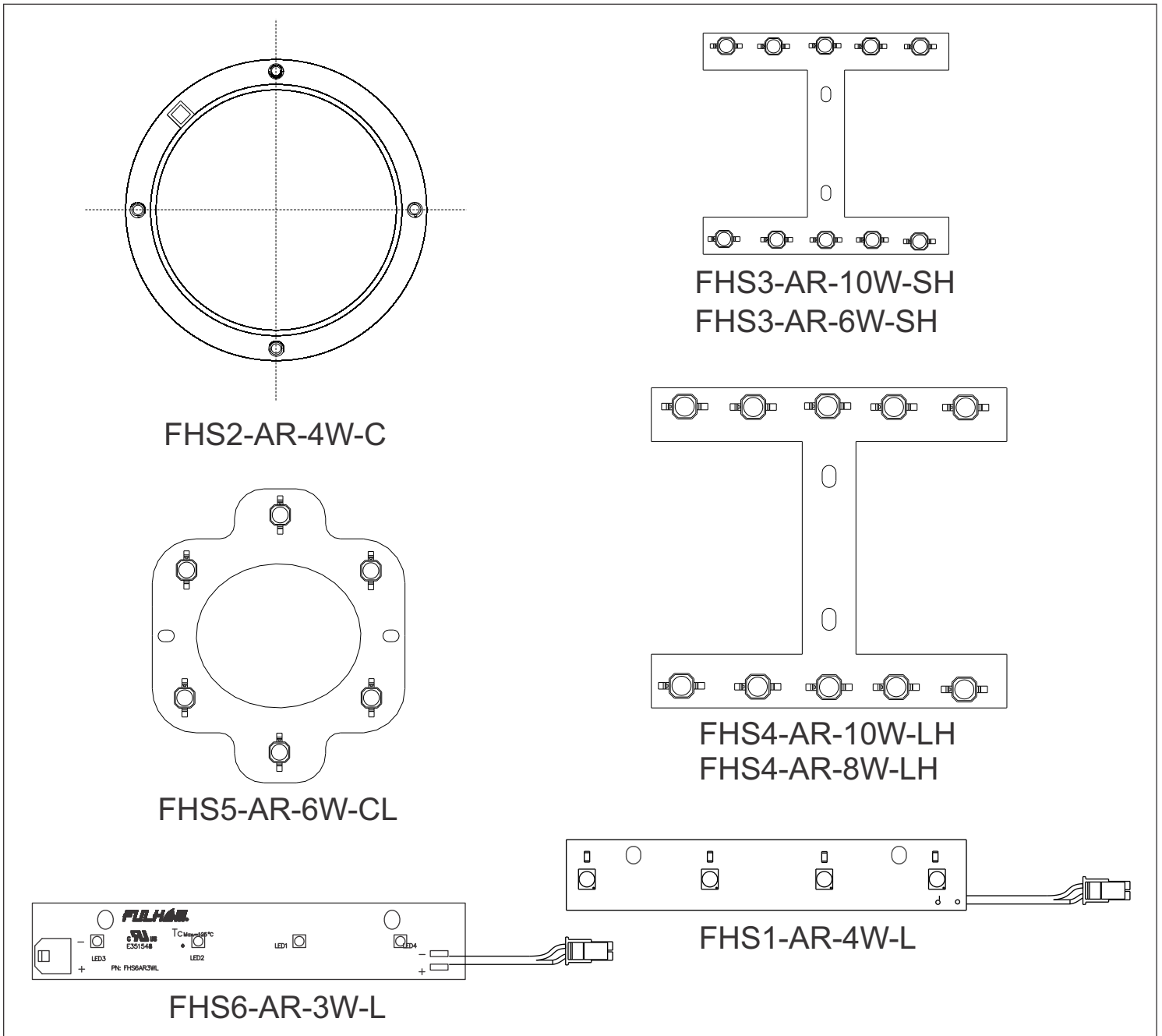


This Is An Original Product From Fulham Co., Inc

Description : Emergency LED Driver For Back-up Lighting

This Driver Will Operate Following LEDs.
 350mA, 3.2V..... Max. 10W
 700mA, 3.2V..... Max. 10W
 1500mA, 3.2V..... Max. 10W

Available array shapes



This product does not meet CEC Title 20 Code of Regulations. Fulham extends a limited warranty only to the original purchaser or to the first user for a period of 5 years from the date of manufacture when properly installed and operated under normal conditions of use. For complete terms and conditions, please reference the Fulham product catalog (www.fulham.com) **Due to a program of continuous improvement, Fulham reserves the right to make modifications or variations in design or construction to the equipment described.** © Fulham Company Limited, All Rights Reserved.