

SK618 Digital High/Low/Off Passive Infrared Fixture Integrated Outdoor Sensor

Hold off setpoint with automatic calibration option for convenience and added energy savings



SK618



RC

IP66 rated for wet locations

Multiple mounting options for easy installation

Fully adjustable high and low dimmed light levels; optional dusk to dawn control



PROJECT	
LOCATION/TYPE	

Product Overview

Description

The SK618 mounts in an outdoor lighting fixture and provides multi-level control based on motion and/or daylight contribution. It controls 0-10 VDC LED drivers or dimming ballasts, and is rated for wet and cold locations.

All control parameters are adjustable via a wireless configuration tool capable of storing and transmitting sensor profiles.

Operation

Typically, the sensor ramps lighting On to the selected High mode level when motion is detected and the ambient light level is below the hold off setpoint. After the sensor stops detecting movement and the time delay elapses, lights fade to the Low mode level. If there is no motion during the subsequent cut off time delay, the lights will turn Off. For dusk to dawn control, the integral photocell can switch the lights On and Off based on the ambient light level so that lighting remains on overnight even without motion detection.

Wireless Handheld Configuration Tool

Initial setup and subsequent sensor adjustments are made using a handheld configuration tool (BIR-100). This tool enables adjustment of parameter, is also used to initiate automatic calibration of the BIR16 ambient light level setpoint. The setpoint is used to hold the controlled lighting off at low level when there is sufficient daylight. The wireless tool stores up to five sensor parameter profiles to speed configuration of multiple sensors.

Applications

The slim, low-profile SK618 is designed for installation inside the bottom of a light fixture body. When fully assembled and installed in an IP66-rated fixture, the microwave sensor module parts are IP66 outdoor rated. The sensor is ideal for areas such as parking facilities, gas stations, pedestrian pathways and warehouses. A choice of two microwave sensor module ensures complete coverage for mounting heights up to 40'.

Features

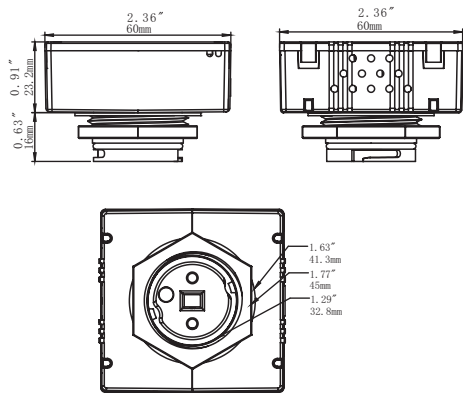
- Provides line voltage On/Off switching and 0-10VDC dimming control
- Works with ballasts or LED drivers
- High and low modes fully adjustable from 0 to 10V
- Time delay from 5 to 30 minutes
- Optional cut off delay
- Adjustable ramp up and fade down times
- High inrush stability zero crossing circuitry for reliable, long-life operation
- Latching relay is durable for all load
- Optional daylighting setpoints feature automatic calibration, or permit manual adjustment.
- Polycarbonate, flame retardant, UV resistant, impact resistant.
- UL773A and FCC

Specifications

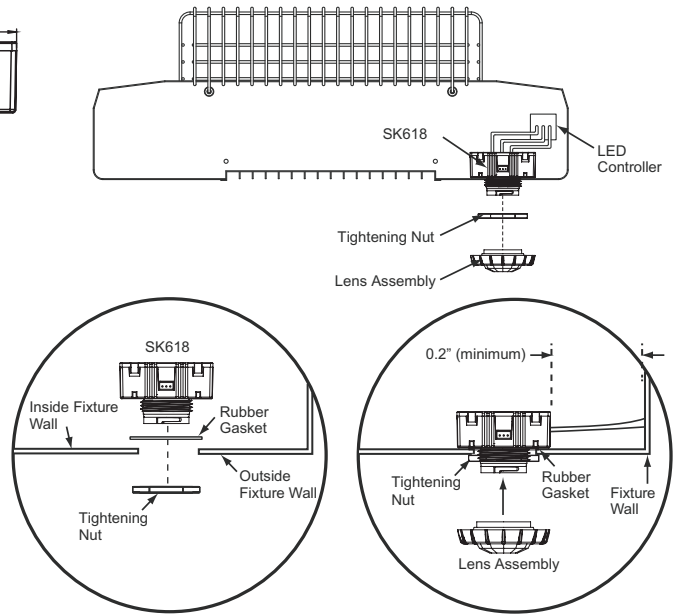
Power supply	120/277VAC
Maximum load @ -40°F ~ 158°F (-40°C ~ 70°C)	Resistive/Tungsten - 600W@120V Ballast Electronic (LED) - 800/1200VA@120/277V
HF System	5.8GHz CW
Dim control output	0-10V, max. 25mA sinking current
Detection radius/angle	Max meters/360°
Mounting height	Max 50ft
Remote range	50ft. (15m) indoor, no backlight
Humidity	Max. 95% RH
Temperature	-104°F ~ 158°F (-40°C ~ 70°C)

Dimensions & Mounting

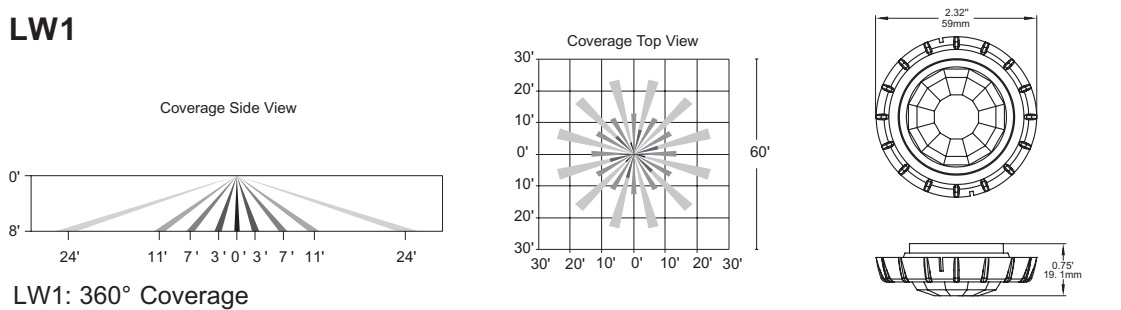
Sensor Dimensions



Sensor Mounting

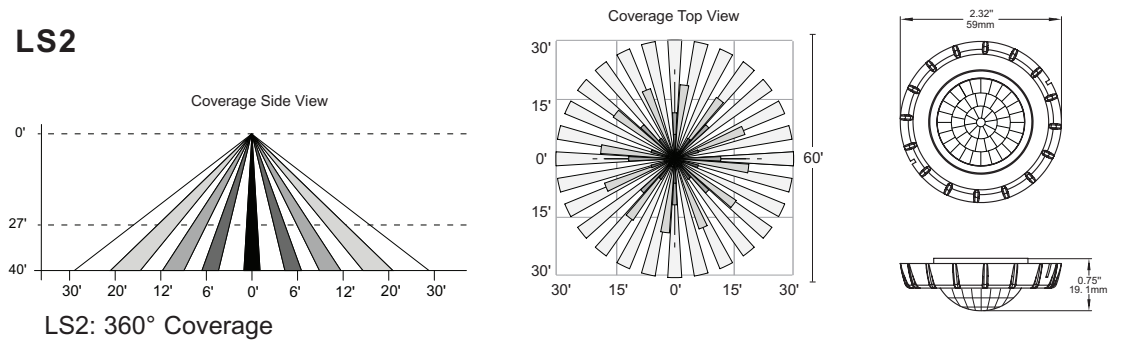


Coverage LW1



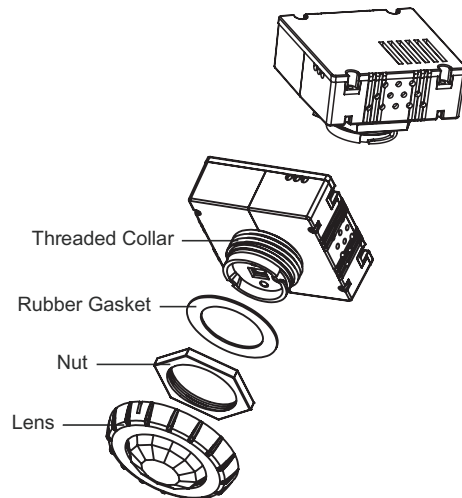
LW1: 360° Coverage

LS2



LS2: 360° Coverage

Sensor module



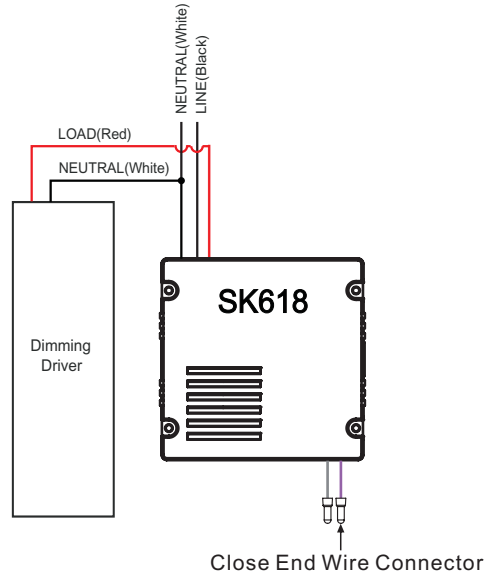
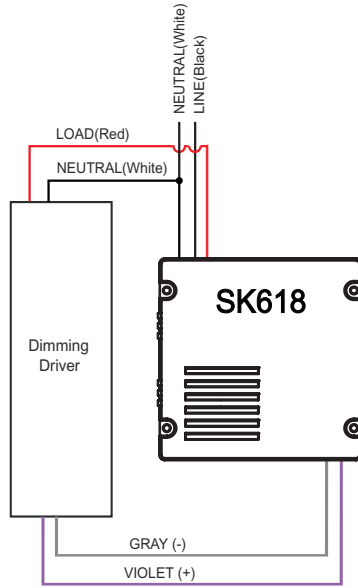
Wiring

SK618 wiring with dimming ballast or LED driver.

SK618 wiring with non-dimming ballast or LED driver.

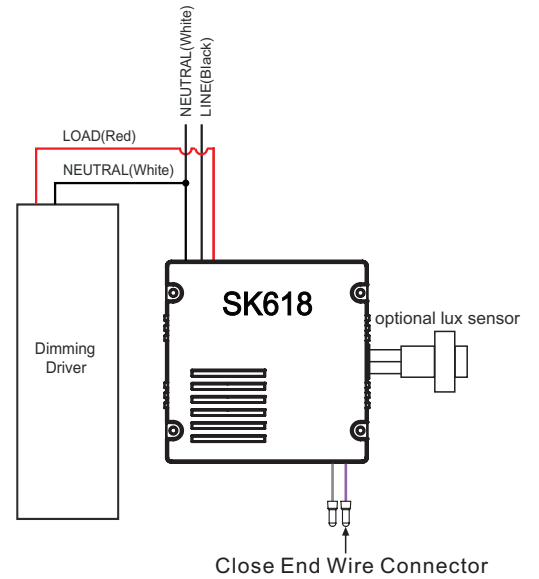
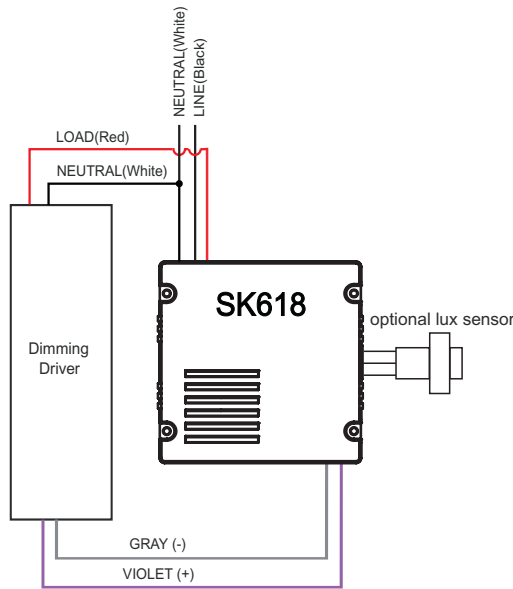
Dimming Driver

Non-Dimming Driver



Dimming Driver (optional lux sensor)

Non-Dimming Driver (optional lux sensor)



Ordering Information

Catalog No.	Color	Description
<input type="checkbox"/> SK618-LS2	White	360° lens, maximum coverage 60' diameter from 8'-40' height
<input type="checkbox"/> SK618-LW1	White	360° lens, maximum coverage 48' diameter from 20' height
<input type="checkbox"/> RC	Black	Remote control