

PRODUCT DESCRIPTION

The Wide Smiling Wraparound is a high performance LED surface mounted luminaire, features value and energy efficient performance. The luminaries characteristic clean, low profile design is appealing and functional. The wrap utilizes a clear, low brightness, extruded acrylic lens and White finished steel end plates for dependable performance and good looks. The efficient and Economical wrap has been designed as an Economical choice for value engineered applications. It is an ideal choice for use with narrow ceiling areas such as in workshops, utility rooms and corridors.

FEATURES:

- Surge protector.
- White painted parts are treated with a five-stage phosphate bonding process and finished with high reflectance baked enamel.
- Low profile design optimizes shipping, storage, and handling.
- Diffuser is secured continuously along luminaire sides.
- Shallow depth provides sleek, low-profile appearance.
- Diffusion wrap-around lens for smooth light distribution.
- Performance engineered optical lens assembly delivers unique beam angles and reduces glare.
- High quality LED Chips provide high efficiency, heat dissipation, stability, and lumen maintenance.
- Driver disconnect provided where required to comply with US and Canadian codes.
- May be surface or pendant (cable, hanging chain or stem kits) mounted.
- Class II /P driver, with 0-10V or Triac dimming
- Ambient Temperature:-30 ~ 40 °C (-22° F to +104° F)
- Damp Location Rated

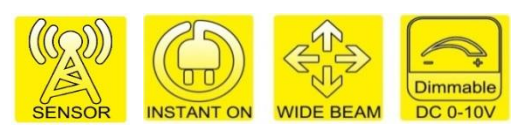
APPLICATIONS:

- Closets/Storage rooms/Offices
- Conference rooms/Retail
- Reception areas/Hallways
- Education facilities
- Parking Garages



| OPTIONS: | Order Code |
|-----------------------------|-------------|
| AC347-480V High Voltage | 347V |
| Occupancy Sensor | OS |
| Daylight Harvesting | DH |
| CCT 3000K,3500K,4000K,5000K | 30/35/40/50 |
| Suspension Chain | SC |
| Clear lens | CL |

Only 2 inch in height!

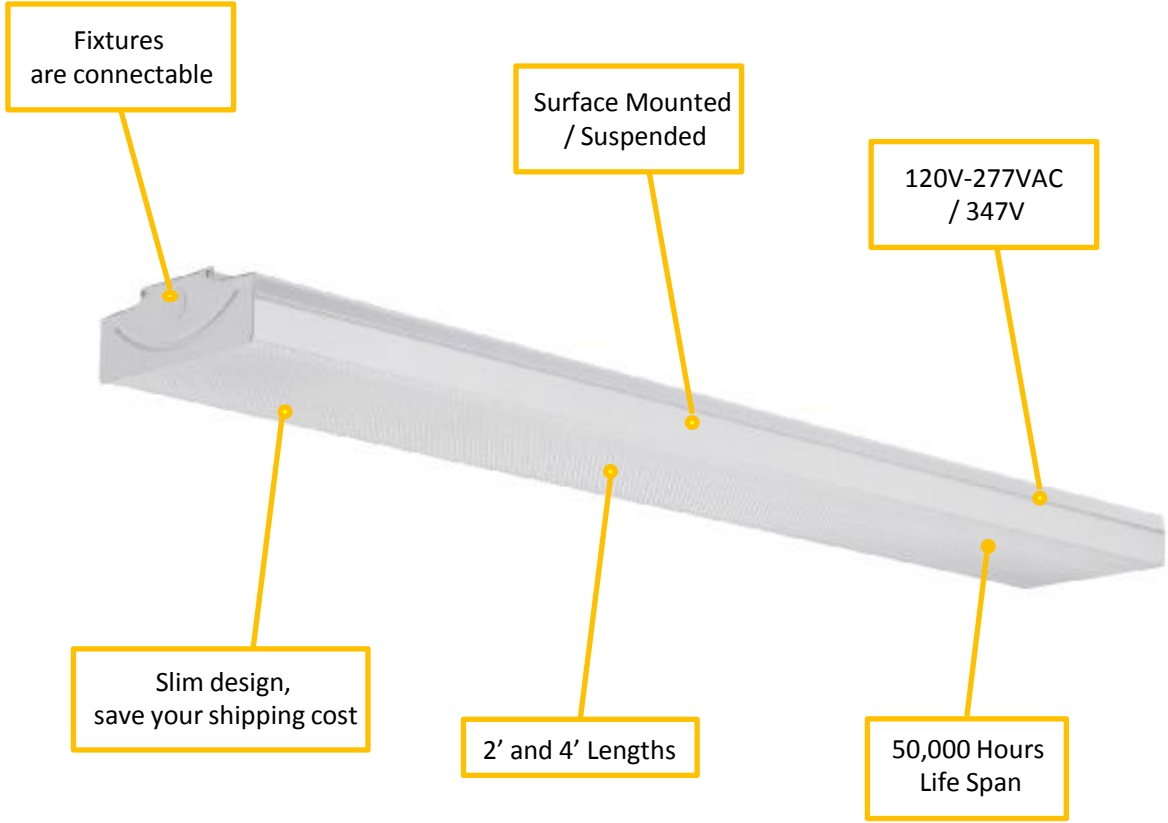


ORDERING: (KK=CCT, can be 30, 35, 40, 50)

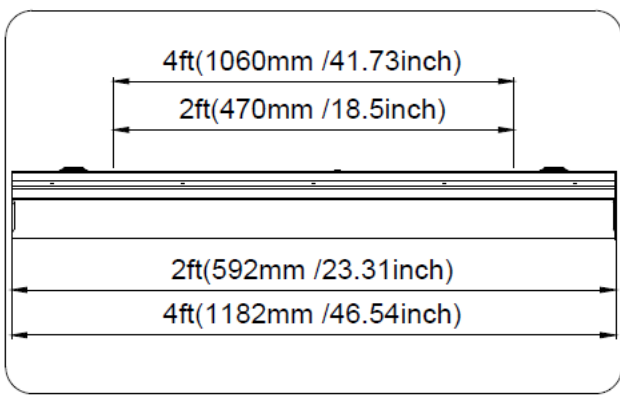
| Item | Watts | Efficacy | Lumens | CRI | PF | Voltage | Dimension(L*W*H):Inch | | |
|---------------------|-------|----------|---------|-----|-------|----------|-----------------------|-------|-------|
| MX456DLM02522BKKD1A | 25W | 125lm/w | 3,125lm | >82 | >0.95 | 120-277V | 23 1/4 | 6 7/8 | 2 3/4 |
| MX456DLM04024BKKD1A | 40W | 125lm/w | 5,000lm | >82 | >0.95 | 120-277V | 46 2/4 | 6 7/8 | 2 3/4 |

*Please contact your Brandon representative to order products that don't have order codes listed here or any info required
 *Due to continuing product improvements, Brandon Lighting reserves the right to change the specifications without notice.

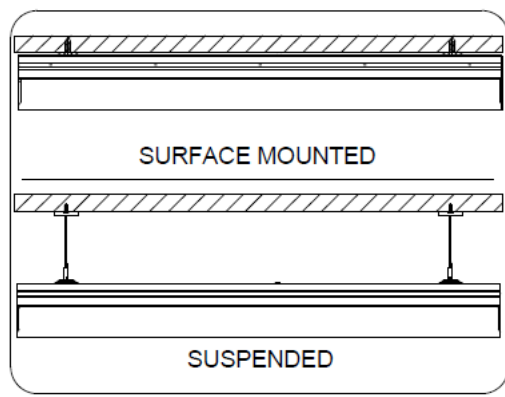
Illustration



Installation Dimension



Installation



*Please contact your Brandon representative to order products that don't have order codes listed here or any info required
*Due to continuing product improvements, Brandon Lighting reserves the right to change the specifications without notice.