

## PRODUCT DESCRIPTION

Brandon MX898L Series LED High bay is a compact and economical luminaire utilizing the latest in LED technology, offers exceptional lighting in low to high ceiling applications and delivers the best luminous performance.

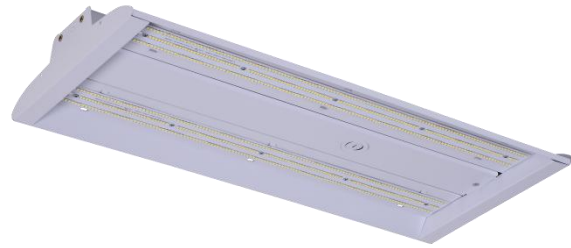
Employing a 0-10V dimming driver, this fixture will work with occupancy sensors and emergency kits for energy saving. Various color temperature, lumen outputs and accessories for distribution, lens and installation make it perfect for industrial, commercial, manufacturing, warehousing, gymnasium and other applications with mounting heights ranging from 10' to 40'

## FEATURES:

- Surge protector.
- Steel housing in white painted provides high performance and unprecedented quality.
- Individual, pure aluminum heat sinks offers heat transmission faster than die cast steel.
- High quality LED Chips provide high efficiency, heat dissipation, stability, and lumen maintenance.
- Polycarbonate lens(option),high flame retardant point.
- Wire guard assembly optional for special application.
- May be cable, chain, or pendant mounted.
- End holes to attach V bracket for chain or cable hanging.
- Dual universal 0-10V driver for continuous dimming.
- Ambient Temperature:-30 ~ 40 °C(-22° F to +104° F)
- Damp Location Rated





## APPLICATIONS:

Warehouse/Manufacturing plants  
Distribution centers/Industrial  
Commercial/Grocery Stores  
Gymnasiums/Cold Storage



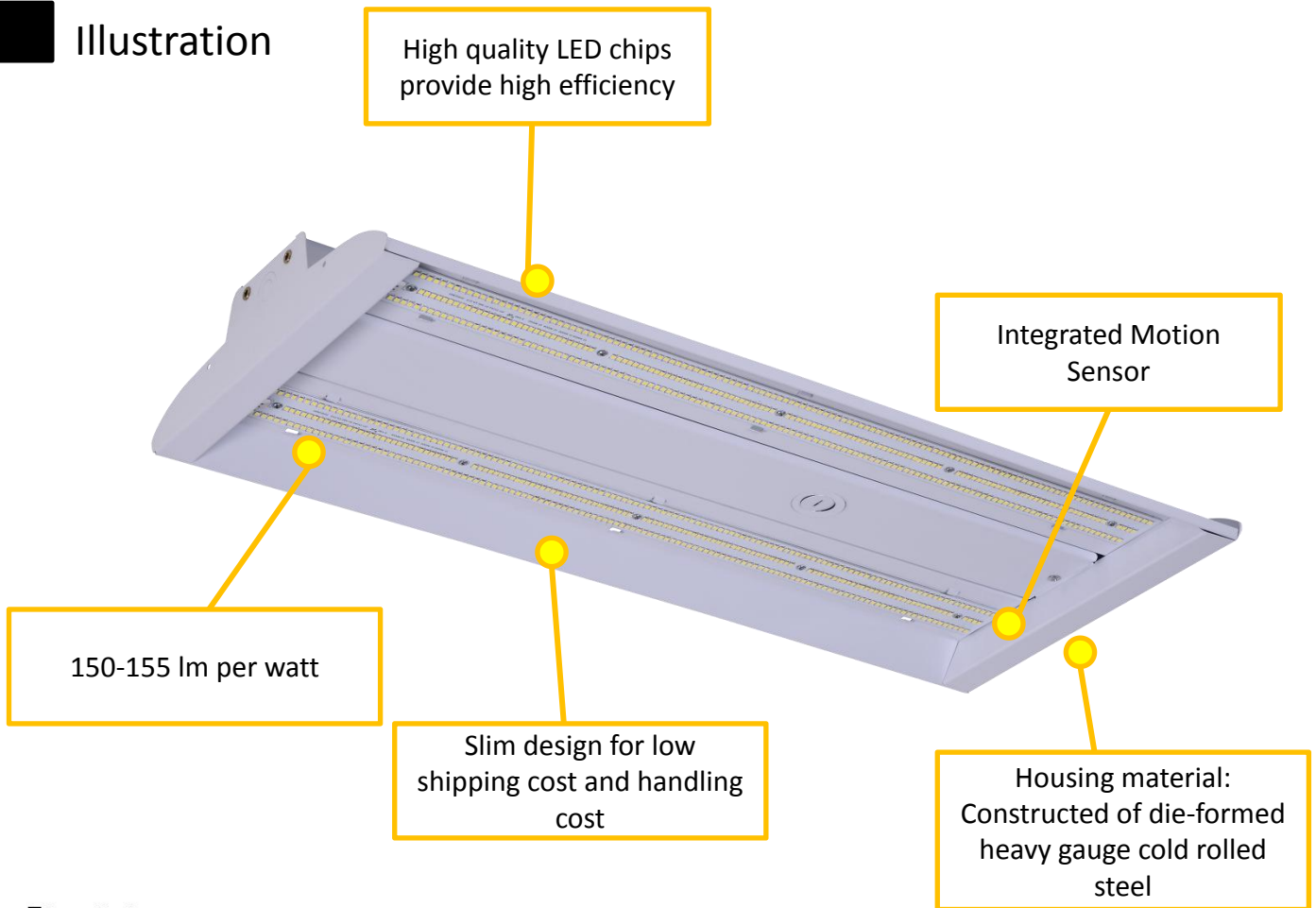
OPTIONS	Order Code
AC347-480V High Voltage	347V
Occupancy Sensor	OS
Daylight Harvesting	DH
Emergency Backup	EM
CCT 3000K,3500K,4000K,5000K	30/35/40/50
Suspension Chain	SC
PC Clear/Opal lens	CL/OL
Continuous Row Joiner	JO
Wire Guard	WG



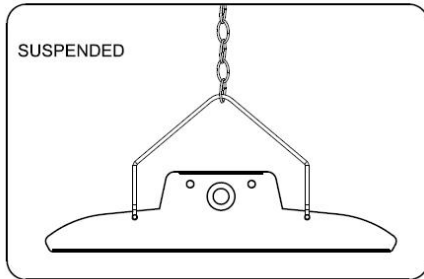
Item	Watts	Efficacy	Lumens	CRI	PF	Voltage	Dimension(L*W*H):Inch		
 MX898LLM05011BKK D1 【A,B】	50W	120lm/w	6,000lm	>82	>0.95	120-277V	13 2/8	11 2/8	2 4/8
 MX898LLD10012BKKD 1 【A,B】	100W	135lm/w	13,500lm	>82	>0.95	120-277V	24 5/8	11 2/8	2 4/8
 MX898LLD15013BKKD 1 【A,B】	150W	135lm/w	20,250lm	>82	>0.95	120-277V	35 7/8	11 2/8	2 4/8
 MX898LLD20014BKKD 1 【A,B】	200W	135lm/w	27,000lm	>82	>0.95	120-277V	47 1/8	11 2/8	2 4/8

\*Please contact your Brandon representative to order products that don't have order codes listed here or any info required  
\*Due to continuing product improvements, Brandon Lighting reserves the right to change the specifications without notice.

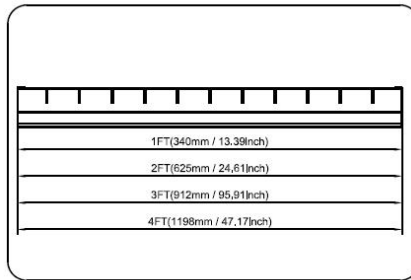
**Illustration**



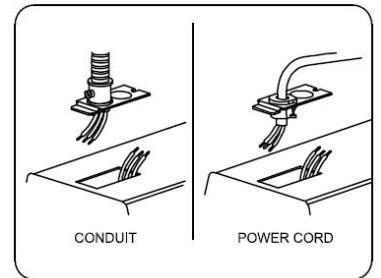
**Installation**



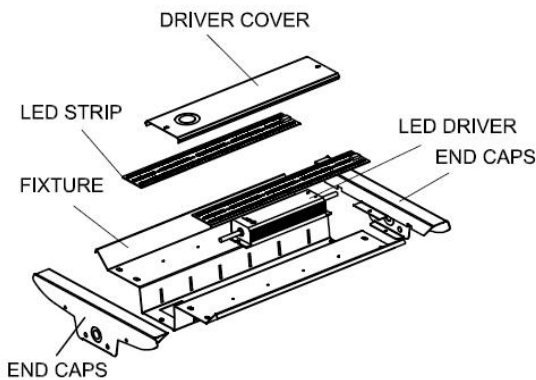
**Installation Dimension**



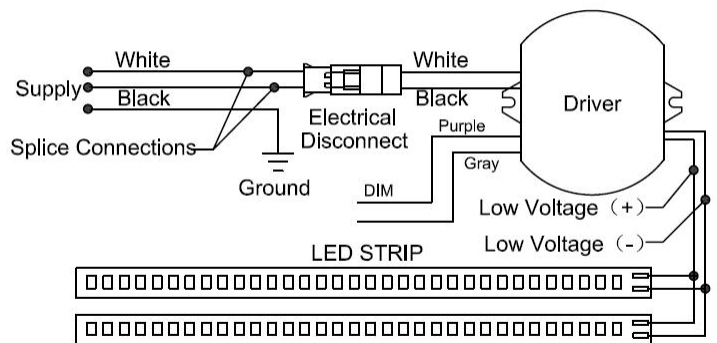
**Electrical Connection**



**Exploded Views**



**Wiring Diagram**



\*Please contact your Brandon representative to order products that don't have order codes listed here or any info required  
 \*Due to continuing product improvements, Brandon Lighting reserves the right to change the specifications without notice.