

## PRODUCT DESCRIPTION

LED lens troffer features easy installation and delivers a cost-saving solution for upgrading fluorescent troffers or parabolic to LED technology. Manufactured with quality components and finishes, resulting in consistent and balanced lighting when mixing configurations in the same space. A main diffuser and slanted troffer reduce the fixture's glare to provide soft, dispersed illumination with the comfort of inhabitants in mind. It is designed for the health of your occupants, the quality of your installation, the flexibility of your needs, and the beauty of your design. Full distribution light output assures comfortable, effective lighting. The architectural design makes them ideally suited for any type of interior space such as offices, schools, hospitals, elder care facilities and retail locations.

## FEATURES:

- Surge protector.
- Low profile design optimizes shipping, storage, and handling.
- Tool-less lens design for easy installation.
- Individual, pure aluminum heat sinks offers heat transmission faster than die cast steel.
- Performance engineered optical lens assembly delivers unique beam angles and reduces glare.
- High quality LED Chips provide high efficiency, heat dissipation, stability, and lumen maintenance.
- Polycarbonate lens, high flame retardant point.
- Driver disconnect provided where required to comply with US and Canadian codes.
- Exceptional efficacy meets DLC Premium requirements.
- Dual universal 0-10V driver for continuous dimming.
- Ambient Temperature: -30 ~ 40 °C (-22° F to +104° F)
- Damp Location Rated

## APPLICATIONS:

Retail/Schools/Offices  
Healthcare/Conference rooms  
Hospitality/Corridors  
Reception areas/Foyer  
Library



OPTIONS:	Order Code
AC347-480V High Voltage	347V
Occupancy Sensor	OS
Daylight Harvesting	DH
Emergency Backup	EM
CCT 3000K,3500K,4000K,5000K	30/35/40/50



## ORDERING: (KK=CCT, can be 30, 35, 40, 50)

Item	Watts	Efficacy	Lumens	CRI	PF	Voltage	Dimension(L*W*H):Inch		
MX879ELM02522BKWW	25W	110lm/w	2,750lm	>80	>0.97	120-277V	23 7/8	23 6/8	3 1/8
MX879ELM04024BKWW	40W	125lm/w	5,000lm	>80	>0.97	120-277V	47 5/8	23 6/8	3 1/8
MX879ELM05024BKWW	50W	125lm/w	6,250lm	>80	>0.95	120-277V	47 5/8	23 6/8	3 1/8

\*Please contact your Brandon representative to order products that don't have order codes listed here or any info required

\*Due to continuing product improvements, Brandon Lighting reserves the right to change the specifications without notice.

**Illustration**

Ideal for recessed commercial applications such as offices, hospitals, schools, etc.

CCT: 3500K, 4000K, 5000K

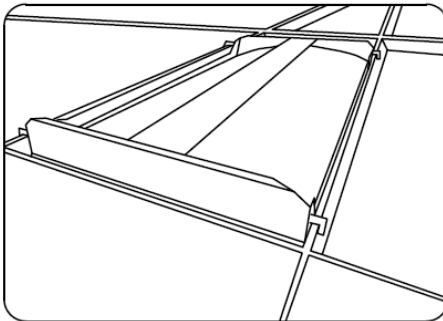
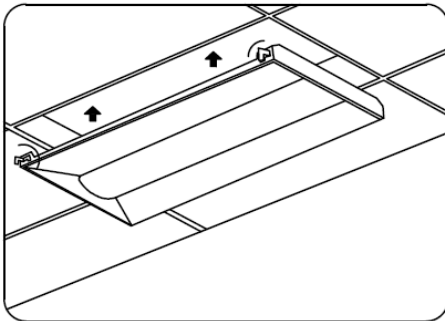
120V-277VAC / 347V

One-piece unit with universal mounting brackets for rapid installation.

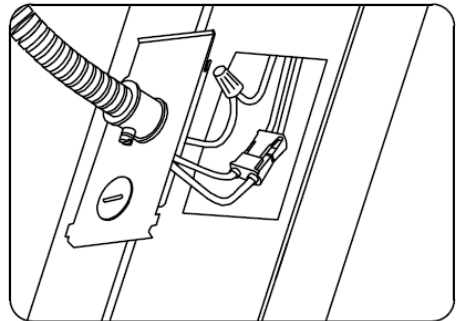
2x2' & 2x4' available

50,000 Hours Life Span

**Installation**



**Electrical Connection**



\*Please contact your Brandon representative to order products that don't have order codes listed here or any info required  
\*Due to continuing product improvements, Brandon Lighting reserves the right to change the specifications without notice.