

## PRODUCT DESCRIPTION

The LED Troffer luminaire modern design creates perfect balance of both horizontal and vertical illumination, which will make your space elegant. Create a productive, comfortable atmosphere through enhanced light quality and distribution ensure to provide you better, and healthier lighting than fluorescent light. It has a modern design and is easy to install. Ideal for both new construction and remodel/replacement of fluorescent troffers in commercial office spaces, schools, healthcare facilities, and retail merchandising areas. These troffers are DLC listed to qualify for commercial lighting rebates and special incentives in certain areas.

## FEATURES:

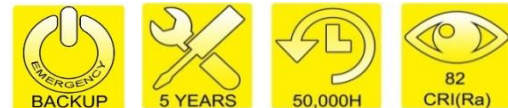
- Surge protector.
- Low profile design optimizes shipping, storage, and handling.
- Tool-less lens design for easy installation.
- Individual, pure aluminum heat sinks offers heat transmission faster than die cast steel.
- Performance engineered optical lens assembly delivers unique beam angles and reduces glare.
- High quality LED Chips provide high efficiency, heat dissipation, stability, and lumen maintenance.
- Polycarbonate lens (option), high flame retardant point.
- Driver disconnect provided where required to comply with US and Canadian codes.
- Exceptional efficacy meets DLC Premium requirements.
- Dual universal 0-10V driver for continuous dimming.
- Ambient Temperature: -30 ~ 40 °C (-22° F to +104° F)
- Damp Location Rated

## APPLICATIONS:

Retail/Schools/Offices  
Healthcare/Conference rooms  
Hospitality/Corridors  
Reception areas/Foyer  
Library



OPTIONS:	Order Code
AC347-480V High Voltage	347V
Occupancy Sensor	OS
Daylight Harvesting	DH
Emergency Backup	EM
CCT 3000K,3500K,4000K,5000K	30/35/40/50



## ORDERING: (KK=CCT, can be 30, 35, 40, 50)

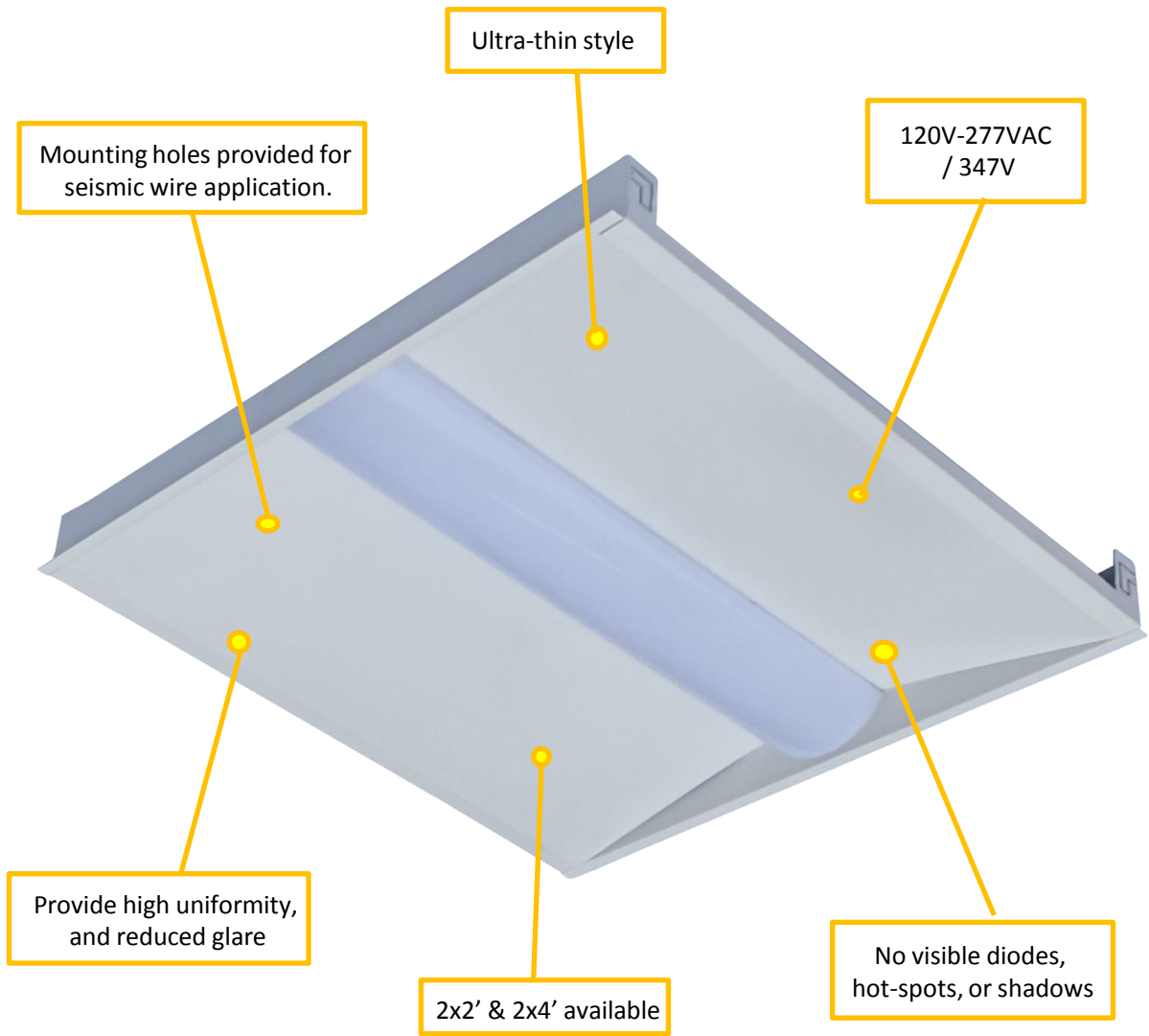
Item	Watts	Efficacy	Lumens	CRI	PF	Voltage	Dimension(L*W*H):Inch		
MX892ELM02522BKDXW	25W	125lm/w	3,250lm	>80	>0.95	120-277V	23 6/8	23 6/8	2 3/8
MX892ELM04022BKDXW	40W	125lm/w	5,200lm	>80	>0.95	120-277V	23 6/8	23 6/8	2 3/8
MX892ELM04024BKDXW	40W	125lm/w	5,200lm	>80	>0.95	120-277V	47 4/8	23 6/8	2 3/8
MX892ELM05024BKDXW	50W	125lm/w	6,500lm	>80	>0.95	120-277V	47 4/8	23 6/8	2 3/8

\*Please contact your Brandon representative to order products that don't have order codes listed here or any info required

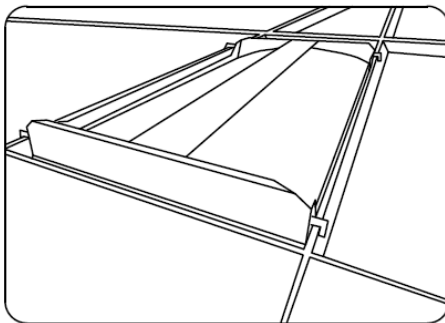
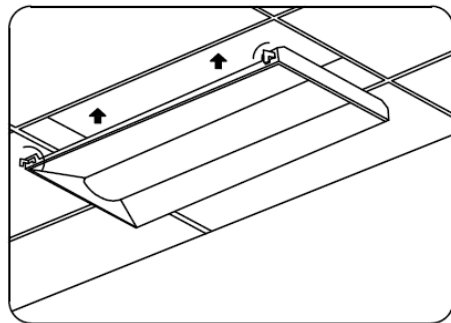
\*Due to continuing product improvements, Brandon Lighting reserves the right to change the specifications without notice.



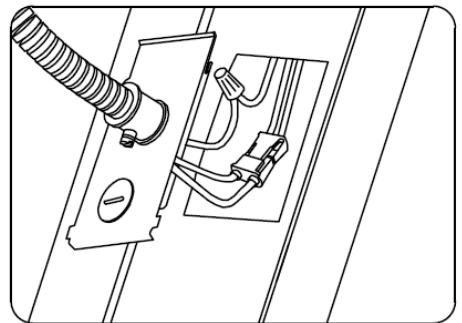
# Illustration



## ■ Installation



## ■ Electrical Connection



\*Please contact your Brandon representative to order products that don't have order codes listed here or any info required  
\*Due to continuing product improvements, Brandon Lighting reserves the right to change the specifications without notice.