

## PRODUCT DESCRIPTION

This High Output Multi-Function LED strips offers a family of two different strips to meet a variety of applications in warehouses, retail and utility areas.

Available in a specially designed LED frosted lens version, and a narrow focused reflector version.

Each version is ideal for different applications and together make a perfect family of products for many industrial and commercial applications.

These fixtures can be surface or pendant mounted.

Quick open for easy access to the driver without removing the lens or reflector.

Consult for different finishes and different sizes.

## FEATURES:

- Surge protector.
- Low profile design optimizes shipping, storage, and handling.
- Durable heavy gauge cold roll steel construction coated with white.
- Quick release design for easy installation.
- Frosted lens diffuse uniform lighting distribution.
- PC end-cap solve the light leakage issue.
- Available for suspended by steam cable, surface mounted and connective in a long row.
- High quality LED Chips provide high efficiency, heat dissipation, stability, and lumen maintenance.
- CCT select is available for saving cost.
- Driver disconnect provided where required to comply with US and Canadian or CE codes.
- Exceptional efficacy meets DLC Premium requirements.
- Integrated smart sensor box and emergency battery are optional.
- Multi-volt 0-10V driver for continuous dimming.
- Ambient Temperature: -30°C~ 40°C (-22F to +104F)
- Damp Location Rated

## APPLICATIONS:

- Corridor/Storage rooms/Offices
- Conference rooms/Retail
- Reception areas/Hallways
- Parking Garages



## ORDERING: (KK=CCT, can be 30, 35, 40, 50)

Item	Watts	Efficacy	Lumens	CRI	PF	Voltage	Dimension(L*W*H):Inch		
MX453ALM02012BKDXW	20W	135lm/w	2,700lm	>80	>0.95	120-277V	23 3/8	2 3/8	3 3/8
MX453ALM03014BKDXW	30W	135lm/w	4,050lm	>80	>0.95	120-277V	45 7/8	2 3/8	3 3/8
MX453ALM06018BKDXW	60W	135lm/w	8,100lm	>80	>0.95	120-277V	91 5/8	2 3/8	3 3/8

\*Please contact your Brandon representative to order products that don't have order codes listed here or any info required

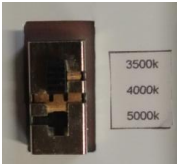
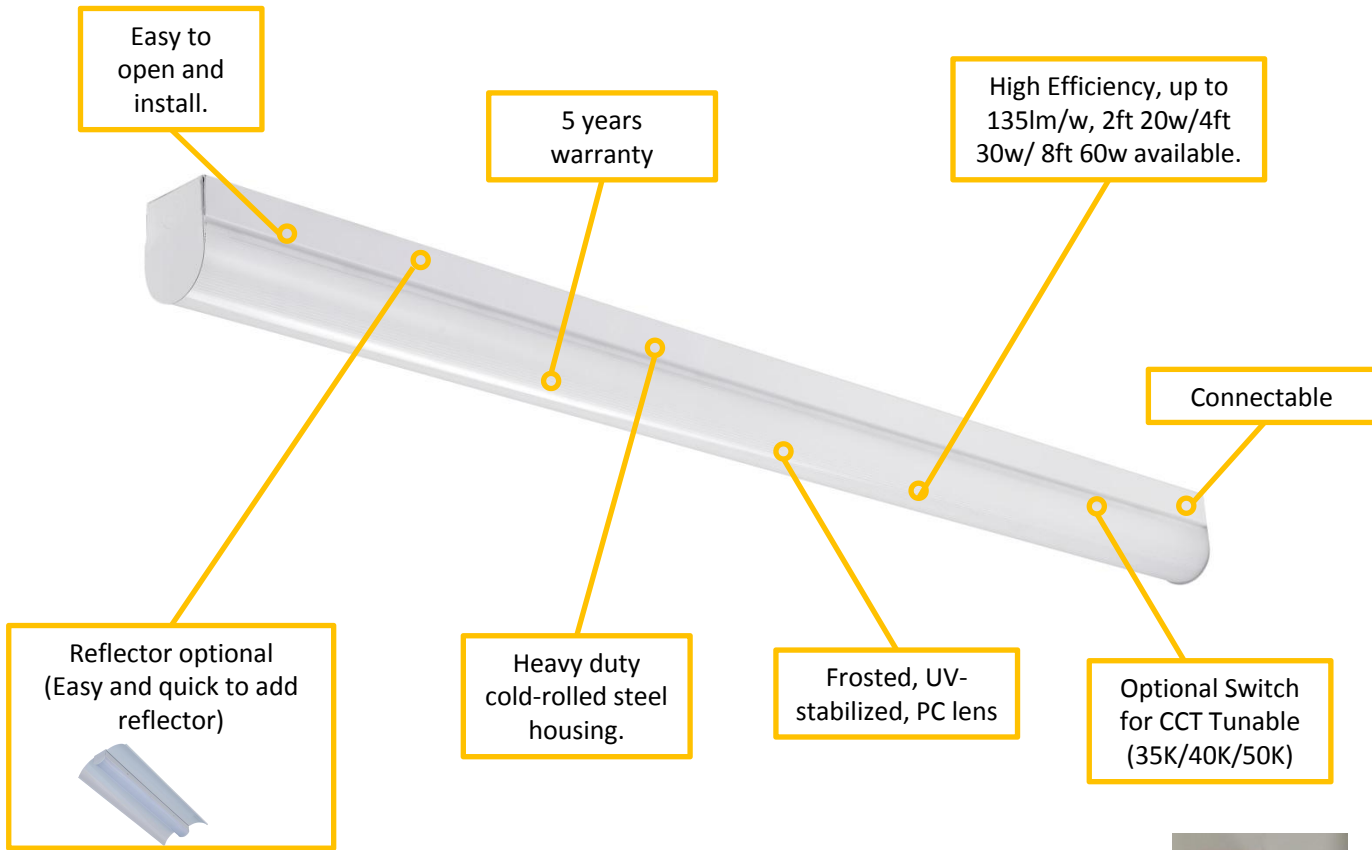
\*Due to continuing product improvements, Brandon Lighting reserves the right to change the specifications without notice.



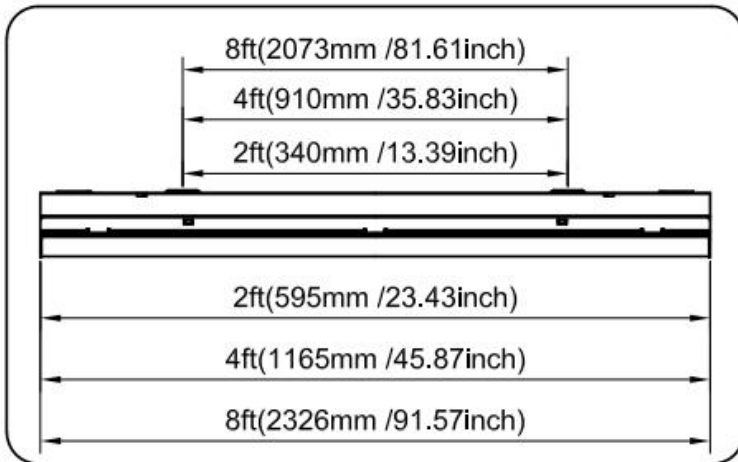
OPTIONS:	Order Code
AC347-480V High Voltage	347V
Occupancy Sensor	OS
Steel Wing	SW
Emergency Backup	EM
CCT 3000K,3500K,4000K,5000K	30/35/40/50
Continuous Row Joiner	JO
Suspension Chain	SC



**Illustration**



**Installation Dimension**



**Installation**

